



Operating table

SU-03



The product was made of materials that possess antimicrobial/antibacterial properties.



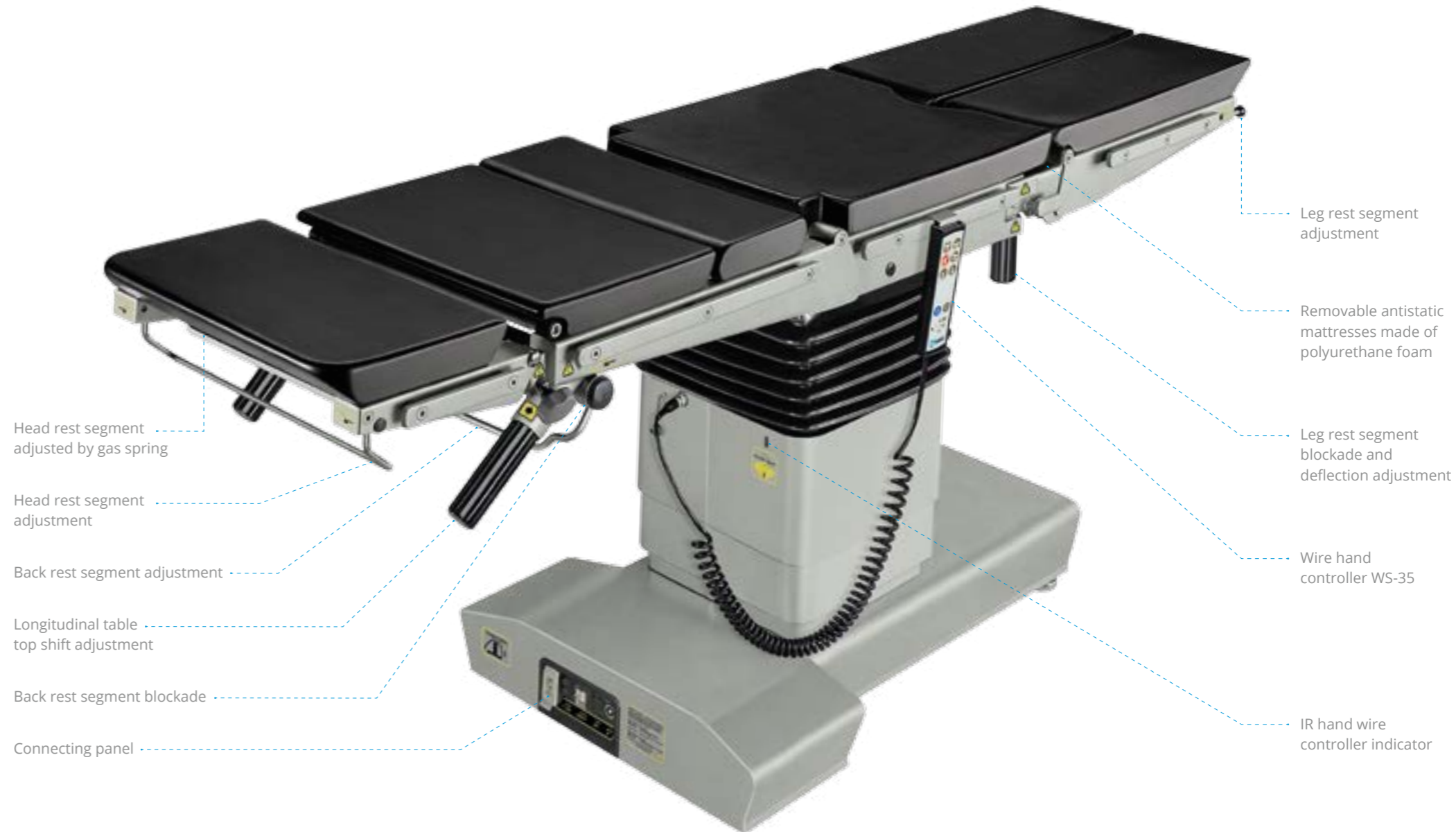
Operating table

SU-03

Purpose

Universal operating table SU-03 is designed for supporting the patient during procedures in the range of general surgery, vascular surgery, cardio surgery, neurosurgery, urology, proctology, gynaecology, laryngology, ophthalmology, endoscopy, laparoscopy, traumatology, oncology, dentistry, plastic surgery and others.

The entire offer of additional equipment is presented in the "Equipment for operating tables" catalogue.



Standard structure

- Operating table is constructed of acid proof stainless steel with matt surface
- Movable base is equipped with central locking system activated by a foot lever
- Mattresses are removable from table top segments
- Surfaces of the tables are easy to be kept clean and are resistant to disinfecting agents
- The table top is X-ray translucent. It enables taking X-ray pictures and monitoring the patient with a C-arm

Functions and drives

- Table top height adjustment, lateral tilt adjustment, Trendelenburg and reverse Trendelenburg adjustment, table top leveling executed with use of wire hand controller with use of electro-hydraulic, 24V battery power supply. Hand controller is equipped with battery charge level indicator
- Back rest and leg rest segment (single section) and head rest segment angle adjustment are supported by gas springs equipped with blockade
- Leg rest segment divided are being set up with use of gear transmission
- Kidney elevator height adjustment at 5 and 6 segments table top is manually executed with use of the gear transmission located at head rest segment side
- Table top longitudinal shift is manually executed
- Leg rest segments are deflected manually

Trendelenburg position



Lateral tilt



Proctologic position

Proctology attachment WS-30.5



Sitting position

Table top with WS-21.5 head rest segment





Standard functions and solutions

Co-operation with C arm

Longitudinal table top shift, asymmetric table column location allow to use C arm during interventions required continues patient monitoring.



Possibility removal of the table top segments

Table tops SU-03

Total length:

- 4-segments table top 2035 mm
- 5-segments table top 2035 mm
- 6-segments table top 2160 mm
- Neurosurgery table top 2025 mm

Total width:

- 4-segments table top 550 mm
- 5-segments table top 550 mm
- 6-segments table top 550 mm
- Neurosurgery table top 550 mm

Leg segment length:

- 4-segments table top 615 mm
- 5-segments table top 615 mm
- 6-segments table top 750 mm
- Neurosurgery table top 615 mm



Table top BL-20.0 technical data:

- Total table top length (without head rest segment) 1735 mm
- Total table top width 545 mm
- Back rest segment adjustment -25° to +80°



4-segments table top



5-segments table top



6-segments table top



Neurosurgery table top

X-rays permeability



Range of X-ray permeability with use of the RTG tray



Possibility of mattresses dismantling

Used solutions



Outlet for orthopedic attachment



Outlet for specialist head rest



Operating table structure permits for outlet a static charge through antistatic wheels to conductive floor/or through charges potential equalization installation



Battery power



Operating table SU-03 base equipped with large wheels

Operating table SU-03 execution options

- Additional alternative mechanic-hydraulic power set
- Operating table base equipped with large wheels
- Control panel placed at the table column
- Wireless hand controller
- Wire foot controller

Orthopaedic attachment

Attachment is made of acid proof, stainless steel. It's fixed to table top and together with table top has the possibility of height, lateral and longitudinal adjustments. Attachment enables patient's C arm monitoring during operation and ensures surgeon's convenient access to the patient.



Examples of use



Positioning for laparoscopic interventions (diverse aside and lowering down foot steps allow to achieve anatomic positioning of the patient for intervention)



Gynaecological position with applying gynaecological attachment WS-28.5 and knee rests WS-05.5



Side fixed positioning (in kidneys operations). Table top with head rest segment WS-45.5



Chest and glad bladder surgeries (table top is equipped with head rest segment WS-46.5)

Execution options SU-03



SU-03 alternative drive

Alternative drive ensures operating table can still function in case of steering or power supply failure. Tables equipped with alternative drive are equipped with two independent operating drive systems: electro-hydraulic and mechanical-hydraulic. Alternative mechanical-hydraulic system allows adjustment of all electro-hydraulic functions of operating table in case of basic system failure. Respective table functions are selected with use of the levers located in the table base and performed by using the foot pump.



Column control panel

The buttons on the control panel are compatible with the buttons on a wire controller. Additionally, the control panel is equipped with an indicator of a battery charge level. The control panel is fixed to the table's column.

SU-03 controls



Wire foot controller type WS-36 (option)



Wireless hand controller type WS-37.0 (option)



Wire hand controller type WS-35

Technical data

Total table top length (with head rest)	2035 mm (± 15 mm)
Table top width	500 mm (± 5 mm)
Total table top width	550 mm (± 5 mm)
Table top height adjustment	740 to 1140 mm (± 20 mm)
Trendelenburg position / Reverse Trendelenburg position	40°
Lateral tilt	± 30°
Back rest segment adjustment	-45 (± 2°) to +85° (± 5°)
Head rest segment adjustment	-50° to +55°
Kidney elevator adjustment height	150 mm (± 5 mm)
Kidney elevator adjustment angle	110°
Inclination angle adjustment of undivided leg rests	-90° to +25°
Inclination angle adjustment of divided leg rests	-90° to +45°
Maximum leg rest segment inclination	180°
Table top longitudinal shift	350 mm (± 15 mm)
Battery power	24 V DC
Power supply	230/127/110/100 V ~, 50/60 Hz
Power consumption	100 VA
Maximum permissible load static / dynamic	350 kg/200 kg
Total table weight	250 kg
Class of protection against electric shock	I
Type part of the application	B
Degree of protection against environmental influences	IP-X4

Famed Żywiec Sp. z o.o.
ul. Fabryczna 1
34-300 Żywiec, Poland

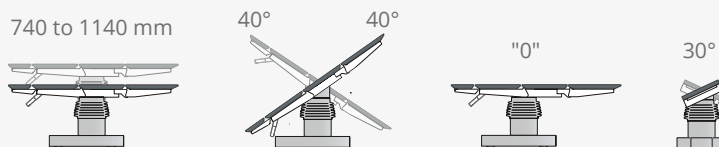
Head Office:
tel.: +48 33 866 62 00
fax: +48 33 475 58 90

Export Department:
tel.: +48 33 866 62 58
tel.: +48 33 866 62 65
tel.: +48 33 866 62 66
fax: +48 33 861 46 78

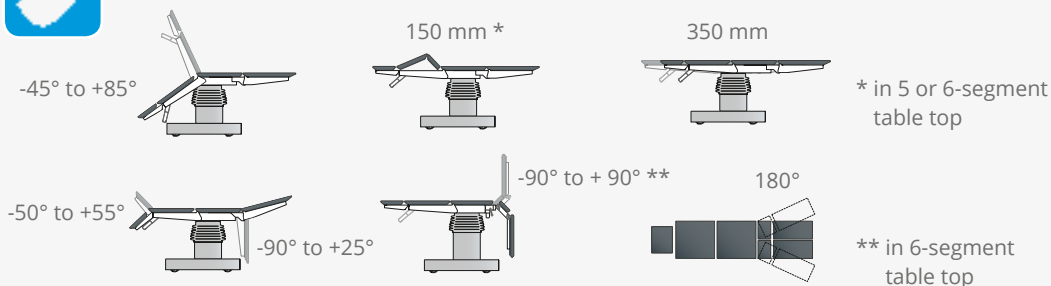
expo.famed@famed.com.pl
www.famed.com.pl



Operating table functions executed with use of the hand controller



Operating table functions executed manually



The product meets the requirements of the European Directive MDD 93/42/EEC concerning safety of medical devices

Edition 05/2015/01. Famed Żywiec reserves the right to make modifications in the products in the course of technical progress. All illustrations and photos, used in this material, are for illustration and may not accurately depict the actual product.

