



Operating table
SU-07



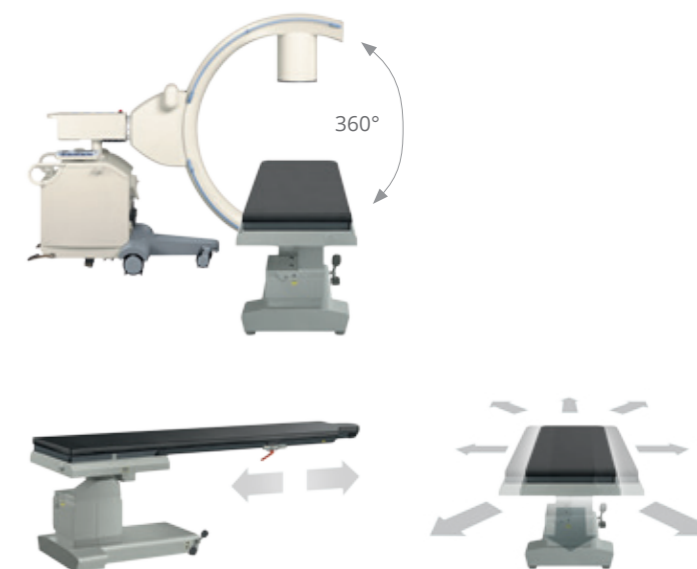
Operating table

SU-07

Purpose

Operating table SU-07 equipped with table top made of carbon fibre is designed for operations in the range of blood vessel surgery, endoscopy and other surgical treatments which require patient's monitoring.

Thanks to the possibility of exact positioning in X and Y axis (floating table top), as well as wide translucency range and perfect parameters of X-rays permeability, the table top ensures the best conditions of carrying out non-invasive surgery.



Functions and drives

- Table top is equipped with electromechanical longitudinal and lateral shift and diagonal direction shift with possibility of its precise setting up thanks to two-steps speed adjustment
- Lateral tilt, Trendelenburg and reverse Trendelenburg tilt and height adjustment and table top stabilizing performed with use of electro-hydraulic system powered by batteries and activated with use of wire hand controller or wireless hand controller

Standard structure

- Table is made of stainless, acid proof steel with mat surface
- Table top is made in accordance with the latest technology, made of carbon fibre, RTG ray permeable, allow to receive very clear picture translucent field
- Guaranteed freedom of selection of the monitored field; easy table top movement during diagnosis; full X-ray translucency range: 360° on a distance 1500 mm from of the patient head side
- Patient leg translucency possibility made in a vertical surface on 500 mm distance
- Movable operating table base with blockade possibility executed by extendable base flange
- Operating table surfaces easy for cleaning and resistant to disinfectant agents
- Anty bed-sore, removable mattress made of polyurethane foam equipped with so called "memory shape", covered with artificial leather, resistant to disinfectant agents
- In option two side rails for additional equipment fixing

Offered equipment



Wire hand controller



Side rail for additional equipment fixing



Arm support made of carbon fibre (additional equipment)

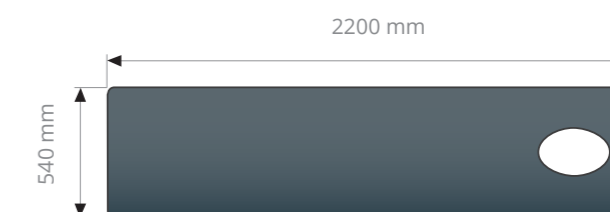
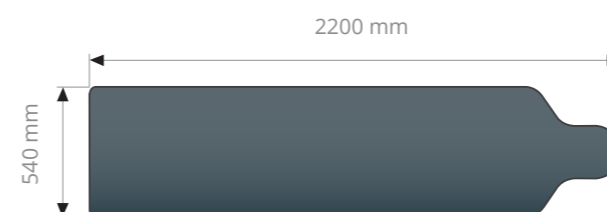
Table tops



Table top made of carbon fibre BL-07.0



Table top made of carbon fibre BL-07.2

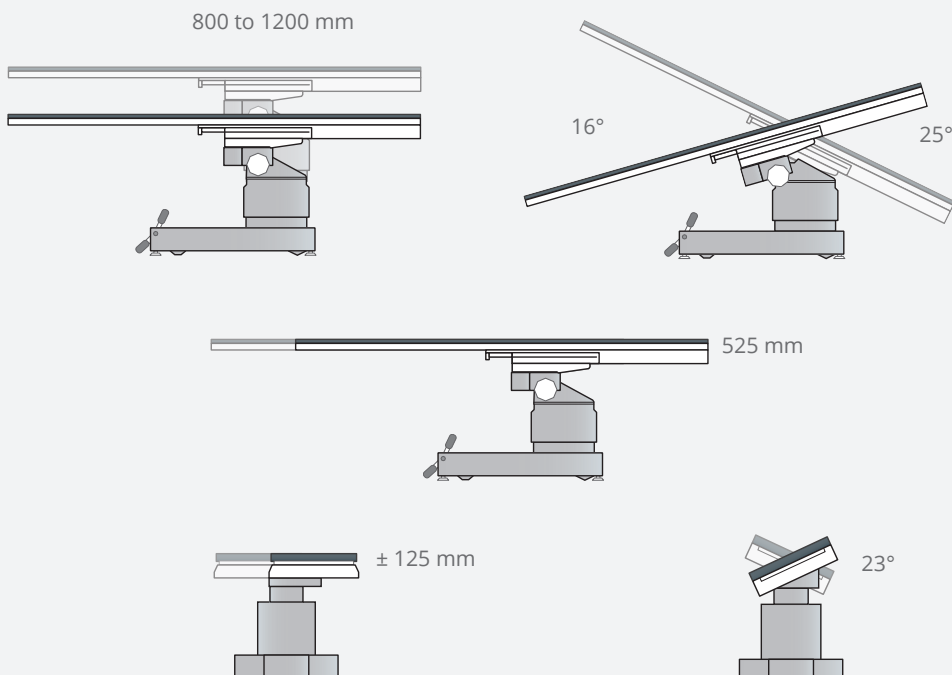


Technical data

Total table top BL-07.0 (length x width)	2200 x 540 mm
Total table top BL-07.2 (length x width)	2200 x 540 mm
Mattress width	540 mm
Mattress thickness	40 mm
Table top height adjustment	800 to 1200 mm
Trendelenburg position	16°
Reverse Trendelenburg position	25°
Lateral tilts	23°
Longitudinal table top's shift	525 mm
Lateral table top's shift	± 125 mm
Battery power supply	24 V DC
Electric net power supply	230 V~, 50 / 60 Hz
Power supply options	110 V~, 50 / 60 Hz or 127 V~, 50 / 60 Hz
Maximum power consumption	250 VA
Maximum permissible load	180 kg
Table weight	250 kg



Operating table functions executed via wire controller



Famed Żywiec Sp. z o.o.
ul. Fabryczna 1
34-300 Żywiec, Poland

Head Office:

tel.: +48 33 866 62 00
fax: +48 33 475 58 90

Export Department:

tel.: +48 33 866 62 58
tel.: +48 33 866 62 65
tel.: +48 33 866 62 66
fax: +48 33 861 46 78

export@famed.com.pl
www.famed.com.pl



The product meets the requirements of the European Directive MDD 93/42/EEC concerning safety of medical devices

Edition 10/2015/01. Famed Żywiec reserves the right to make modifications in the products in the course of technical progress. All illustrations and photos, used in this material, are for illustration and may not accurately depict the actual product.

